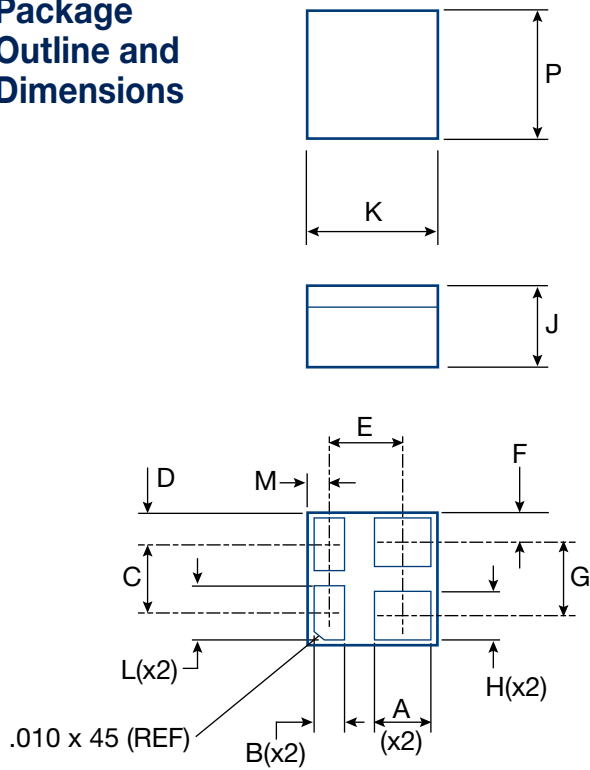


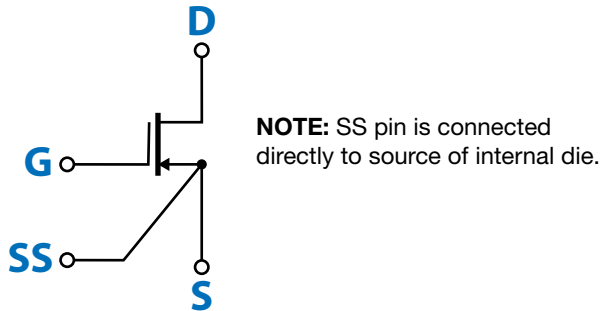
Package Outline and Dimensions



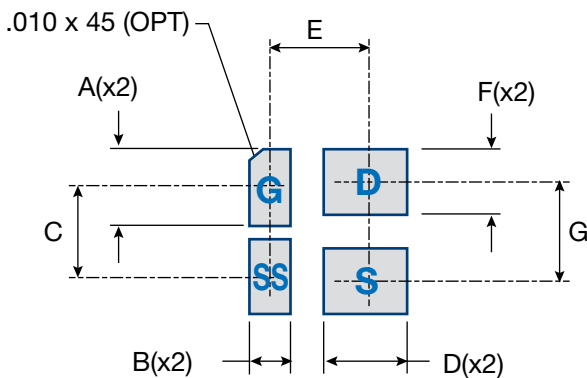
Symbol	Dimensions Nominal		Note
	in	mm	
A	0.062	1.5748	
B	0.032	0.8128	
C	0.068	1.7272	
D	0.031	0.7874	
E	0.074	1.8796	
F	0.026	0.6604	
G	0.076	1.9304	
H	0.045	1.1430	
J	0.083	2.1082	(REF)
K	0.130	3.3020	
L	0.053	1.346	
M	0.021	0.5334	
P	0.130	3.3020	

- Standard tolerances:
Length: $\pm 0.005''$ / $\pm 0.127\text{mm}$
- Standard Terminal Pad finish is a solder alloy of 63%Sn 37%Pb.

Package Connections



FSMD-A Footprint for Printed Circuit Board Design



Symbol	Dimensions Nominal		Note
	in	mm	
A	0.057	1.4478	
B	0.036	0.9144	
C	0.063	1.600	
D	0.066	1.6764	
E	0.074	1.8796	
F	0.047	1.1938	
G	0.076	1.9304	