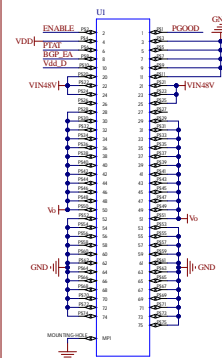
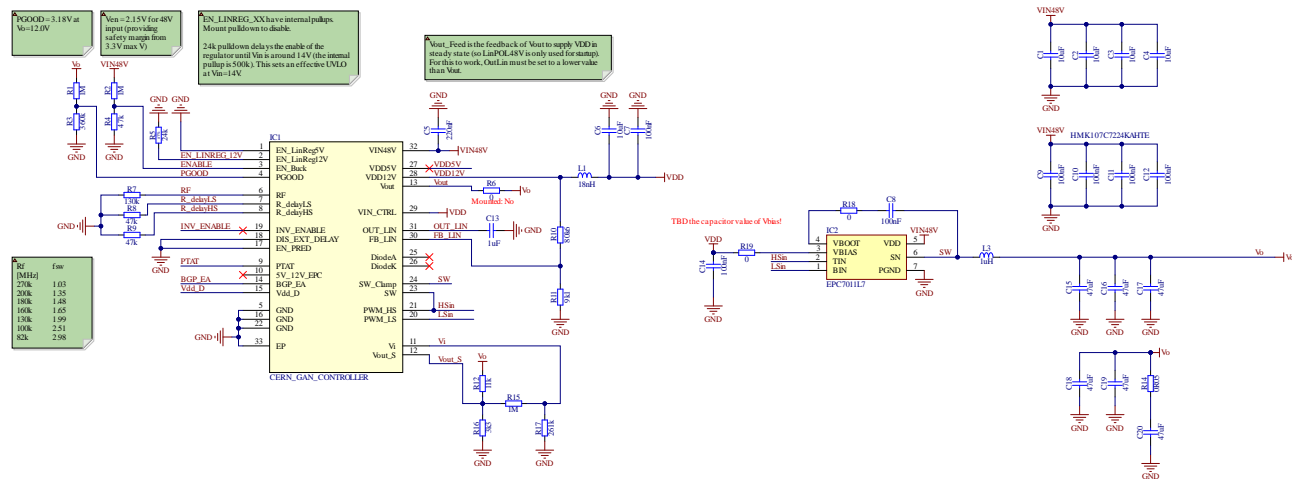


Test points

Signals and supplies monitoring



Mechanical



Board Stack Report